

Code	Finish	Size (mm)	Delivered Lumens (lm)	Total System Wattage (W)	Efficacy (lm/cw)	Colour Temp (°K)	CRI
OGEW/F/850/4K8/BB	White Trim / Black Baffle	85mm dia	811	8.2	98.9	4000K	>80
OGEW/F/850/4K8/WB	White Trim / White Baffle	85mm dia	811	8.2	98.9	4000K	>80

- See website for LDT files
- For BIM models, please contact us
- See website for Technical Data Sheet
- Wall washer option add /WW

COMMERCIAL LED DOWNLIGHT

Construction

- Tridonic LED Module
- Die-cast aluminium
- Matt black darklight baffle

Features

- Low glare supports UGR19
- Architectural downlight
- Optimised 24 super-fin heatsink

Applications

- Commercial and Business Areas
- Public buildings
- Retail environments
- Offices
- Hotels and Restaurants
- Arts and Culture spaces

Benefits

- Flexible solution
- Aesthetically pleasing
- Wireless control option

CCT Options

Code	Description
4K8	4000K (Standard)
3K8	3000K

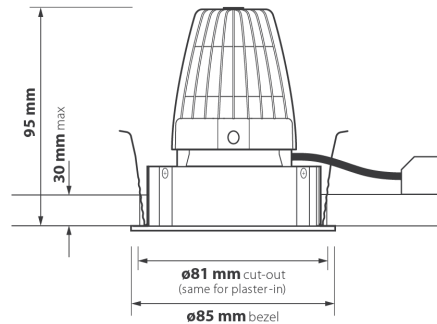
For 3000K version, replace '4K8' in part number with '3K8'

Control Options

Code	Description
D	DALI
S	Switchdim control

For DALI control, replace 'F' in part number with 'D' for SwitchDim replace 'F' with 'S'

Dimensions



Mounting Options

Code	Description
N/A	Trim (Standard)
/PI	Plaster in trimless

For Plaster In / Trimless version, add '/PI' onto part number

Finish Options

Code	Description
WB	White baffle
BB	Black baffle

Emergency Options

Code	Description
/EM	3 hour maintained, manual test
/ED	3 hour maintained, DALI / Self Test

For emergency version, add onto end of part number as required