

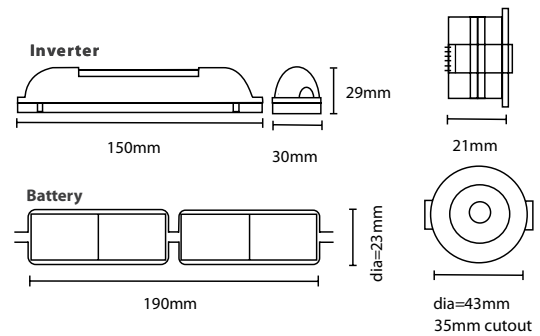
RECESSED 3W EMERGENCY DOWNLIGHT



IP20

Code	Finish	Mounting	Lens Options	Size (mm)	Delivered Lumens (lm)	Integral Test Routine	Battery Recharge Period
KPAW/3W/MT	White & Silver	Recessed	Open Area	Dia 43 x 21mm	135	Manual Test	24 hours
KPAB/3W/MT	Black	Recessed	Open Area	Dia 43 x 21mm	135	Manual Test	24 hours

- 3 hour non-maintained
- 1 year warranty
- See website for LDT files
- For CAD/BIM contact us
- See website for Technical Data Sheet
- 135 Lumens output
- Slim design fits through 35mm cutout, only 43mm overall diameter



SUSPENDED OR SURFACE LUMINAIRE

Construction

- Extruded aluminium profile
- Die-cast aluminium end caps
- Clip-in diffuser
- Tridonic LED boards

Features

- High efficiency LED boards
- Range of length options
- Wide-beam light distribution

Applications

- Commercial and Business Areas
- Public buildings
- Housing
- Offices
- Hotels and Restaurants
- Arts and Culture spaces

Benefits

- Custom-fit options
- Contemporary style
- Energy efficient solution
- European control gear

Optical Options

Code	Description
/OS	Opal (Standard)
/HXP	Low Glare (See P1 low glare spec)

CCT Options

Code	Description
4K8	4000K (Standard)
3K8	3000K

For 3000K version, replace '4K8' in part number with '3K8'

Control Options

Code	Description
D	DALI
S	Switchdim control

For DALI control, replace 'F' in part number with 'D' for switch replace 'F' with 'S'

Mounting Options

Code	Description
P1/SUS/1.25M	Suspended 1.25M
P1/SUS/3.0M	Suspended 3M
/SM	Surface Mounted

Add onto end of part number e.g.
P11B/OS/F/0600/4K8/SM

Finish Options

Code	Description
B	Black RAL 9005 (Standard)
W	White RAL 9016
S	Anodised Aluminium

For White finish, replace 'B' in part number with 'W' for Silver replace 'B' with 'S'

Emergency Options

Code	Description
/EM	3 hour maintained, manual test
/ES	3 hour maintained, self test
/ED	3 hour maintained, DALI test

For emergency version, add onto end of part number as required