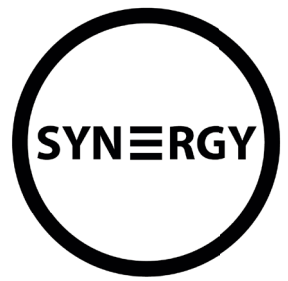


# POLARIS N2

## LED LINEAR TUBE



Code	Finish	Size (mm)	Delivered Lumens (lm)	Total System Wattage (W)	Efficacy (lm/cw)	Colour Temp (°K)	CRI
<b>PN2G/OS/0645/4K8</b>	Grey	60 ø x 645mm	1650	14.2	116.2	4000K	>80
<b>PN2G/OS/0925/4K8</b>	Grey	60 ø x 925mm	2488	21.4	116.3	4000K	>80
<b>PN2G/OS/1205/4K8</b>	Grey	60 ø x 1205mm	3300	28.5	115.8	4000K	>80
<b>PN2G/OS/1485/4K8</b>	Grey	60 ø x 1485mm	4138	35.6	116.2	4000K	>80
<b>PN2G/OS/1765/4K8</b>	Grey	60 ø x 1765mm	4950	42.7	115.9	4000K	>80
<b>PN2G/OS/2045/4K8</b>	Grey	60 ø x 2045mm	5788	49.8	116.2	4000K	>80

- Part numbers are for individual luminaires.
- 5 year warranty
- See website for LDT files
- For CAD/BIM contact us
- For bespoke lengths please contact us
- See website for Technical Data Sheet

# POLARIS N2

## LED LINEAR TUBE

### Construction

- Extruded plexyglass
- Opal polycarbonate diffuser
- Integral control gear

### Features

- High efficiency LED boards
- Range of length options
- High luminous flux

### Applications

- Commercial and Business Areas
- Public buildings
- Retail/Leisure
- Offices
- Hotels and Restaurants
- Arts and Culture spaces

### Benefits

- Custom-fit options
- Contemporary style
- Energy efficient solution
- 5 Year warranty

### Optical Options

Code	Description
/OS	Opal (Standard)

### CCT Options

Code	Description
4K8	4000K (Standard)
3K8	3000K

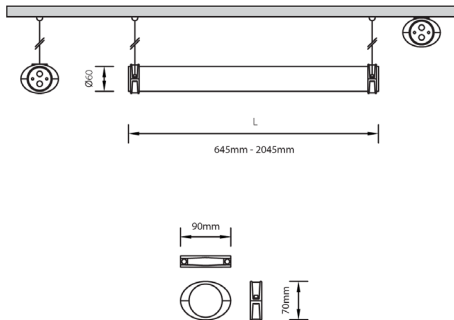
For 3000K version, replace '4K8' in part number with '3K8'

### Control Options

Code	Description
D	DALI
S	Switchdim control

For DALI control, replace 'F' in part number with 'D' for SwitchDim replace 'F' with 'S'

### Dimensions



### Mounting Options

Code	Description
125854	Mounting collar (2 required per fitting)
125856	Suspension kit (2 required per fitting)

### Finish Options

Code	Description
G	Grey end caps (Standard)
B	Black end caps
W	White end caps

For White finish, replace 'G' in part number with 'W' for Black replace 'G' with 'B'.

### Emergency Options

Code	Description
/EM	3 hour maintained, manual test
/ED	3 hour maintained, DALI / Self Test

For emergency version, add onto end of part number as required. Please note emergency versions are only available in 1205mm and longer.

### Continuous Options

Code	Description
C	Continuous
PN2GB/ENDCAP	L End Cap - Black
PN2GW/ENDCAP	L End Cap - White

synergy.gb.net

01992 445828

sales@synergy.gb.net

Please note: Specification values may change due to rapid development of lighting technology. All performance data is taken at an ambient temperature of +25 °C. Data may be rounded up/down for illustrative purposes. Tolerance range of optical and electrical data is +/- 10%. Synergy reserve the right to amend or change details without prior notification.

synergy.gb.net