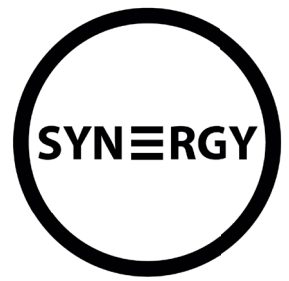


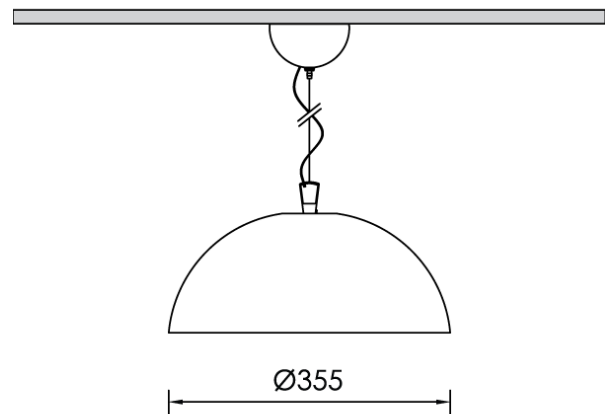
VOLCON 3

CONCRETE PENDANT



Code	Finish	Size (mm)	Delivered Lumens (lm)	Total System Wattage (W)	Efficacy (lm/cw)	Colour Temp (°K)	CRI
VOL/3	Concrete	Dia 355mm	N/A	Max 150W	N/A	N/A	N/A
143200	Lamp	GLS E27 LED	806	7.5	85.5	2700K	>80

- See website for LDT files
- For CAD/BIM contact us
- See website for Technical Data Sheet
- IP20
- 2700K, 3000K and 4000K lamps available please specify



synergy.gb.net

01992 445828

sales@synergy.gb.net

Please note: Specification values may change due to rapid development of lighting technology. All performance data is taken at an ambient temperature of +25 °C. Data may be rounded up/down for illustrative purposes. Tolerance range of optical and electrical data is +/- 10%. Synergy reserve the right to amend or change details without prior notification.

REVISED : 29 July 2020 2:16 pm



synergy.gb.net