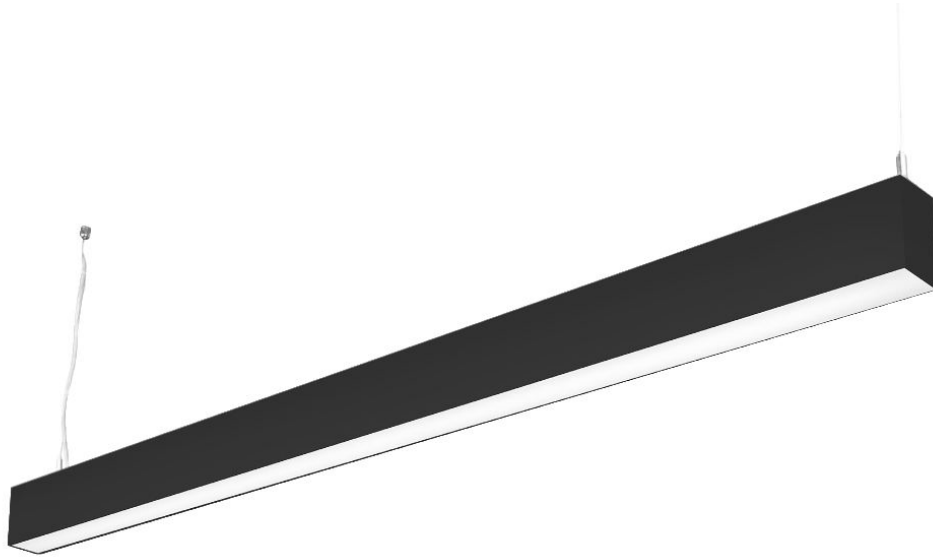
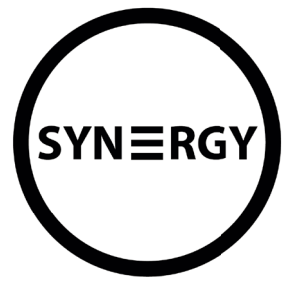


POLARIS 52

DIRECT OPAL LED LINEAR



Please note: This is a new product and data is estimated pending test results

Code	Finish	Distribution	Diffuser	Size (mm)	Delivered Lumens (lm)	Total System Wattage (W)	Efficacy (lm/cw)	Colour Temp (°K)	CRI
P52IB/1/OS/F/0568/4K8	Black	Direct only	Opal	568	1327	12.2	108.8	4000	>80
P52IB/1/OS/F/0848/4K8	Black	Direct only	Opal	848	1987	18.2	109.2	4000	>80
P52IB/1/OS/F/1128/4K8	Black	Direct only	Opal	1128	2655	24.2	109.7	4000	>80
P52IB/1/OS/F/1408/4K8	Black	Direct only	Opal	1408	3314	30.5	108.7	4000	>80
P52IB/1/OS/F/1688/4K8	Black	Direct only	Opal	1688	3982	36.5	109.1	4000	>80
P52IB/1/OS/F/1968/4K8	Black	Direct only	Opal	1968	4642	42.5	109.2	4000	>80
P52IB/1/OS/F/2248/4K8	Black	Direct only	Opal	2248	5310	48.5	109.5	4000	>80
P52IB/1/OS/F/2528/4K8	Black	Direct only	Opal	2528	5969	54.5	109.5	4000	>80
P52IB/1/OS/F/2808/4K8	Black	Direct only	Opal	2808	6637	60.5	109.7	4000	>80
P52IB/1/OS/F/3088/4K8	Black	Direct only	Opal	3088	7297	66.5	109.7	4000	>80
P52IB/1/OS/F/3368/4K8	Black	Direct only	Opal	3368	7965	72.5	109.9	4000	>80
P52IB/1/OS/F/3648/4K8	Black	Direct only	Opal	3648	8624	79	109.2	4000	>80
P52IB/1/OS/F/3928/4K8	Black	Direct only	Opal	3928	9292	85	109.3	4000	>80

- Part numbers are for individual luminaires.
- 5 year warranty
- See website for LDT files
- For CAD/BIM contact us
- For bespoke lengths please contact us
- See website for Technical Data Sheet
- IP20

REVISED : 15 July 2021 4:07 pm



POLARIS 52

DIRECT OPAL LED LINEAR

Construction

- Extruded aluminium profile
- Clip-in diffuser
- European LED boards

Features

- High efficiency LED boards
- Range of length options
- Wide-beam light distribution

Applications

- Commercial and Business Areas
- Public buildings
- Housing
- Offices
- Hotels and Restaurants
- Arts and Culture spaces

Benefits

- Custom-fit options
- Contemporary style
- Energy efficient solution
- European control gear

Optical Options

Code	Description
/OS	Opal (Standard)
/HXP	Low Glare (See P52 low glare spec)

CCT Options

Code	Description
4K8	4000K (Standard)
3K8	3000K

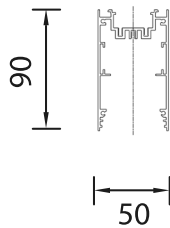
For 3000K version, replace '4K8' in part number with '3K8'

Control Options

Code	Description
D	DALI
S	Switchdim control

For DALI control, replace 'F' in part number with 'D' for SwitchDim replace 'F' with 'S'

Dimensions



Mounting Options

Code	Description
P52/SUS/1.25M	Suspended 1.25M
P52/SUS/3.0M	Suspended 3M
P52/SUS/5.0M	Suspended 5M
/NA	Surface Mounted (Standard)

For suspended specify the codes as required.

Finish Options

Code	Description
B	Black RAL 9005 (Standard)
W	White RAL 9016
S	Silver RAL 9006
RAL	Any RAL by request
SFX	Special effect finishes (SFX) by request. See Product Portfolio

For White finish, replace 'B' in part number with 'W' for Silver replace 'B' with 'S'. Contact us for custom RAL and SFX finish prices

Emergency Options

Code	Description
/EM	3 hour maintained, manual test
/ED	3 hour maintained, DALI / Self Test

For emergency version, add onto end of part number as required

Continuous Options

Code	Description
C	Continuous
S	Start of run
E	End of run

Part numbers are for individual luminaires. For continuous replace 'I' in part number with 'C', 'S' or 'E'. Please specify continuous separately. ie **P52CB/1/OS/F/0568/4K8**

synergy.gb.net

01992 445828

sales@synergy.gb.net

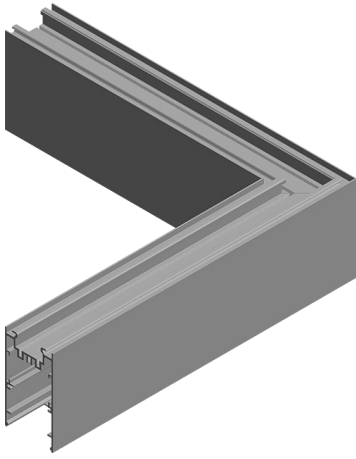
Please note: Specification values may change due to rapid development of lighting technology. All performance data is taken at an ambient temperature of +25 °C. Data may be rounded up/down for illustrative purposes. Tolerance range of optical and electrical data is +/- 10%. Synergy reserve the right to amend or change details without prior notification.

synergy.gb.net

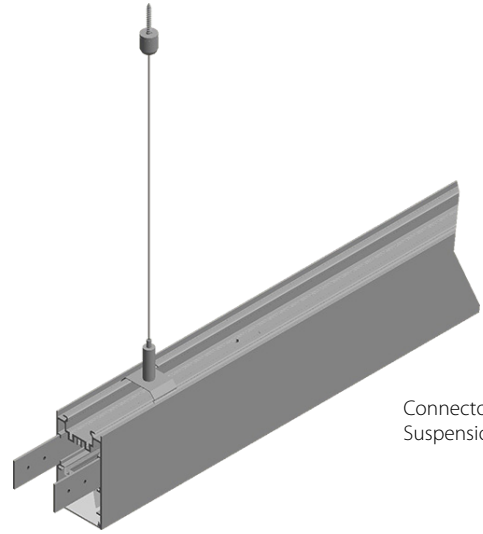
POLARIS 52

DIRECT OPAL LED LINEAR

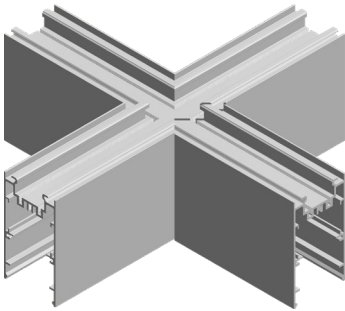
Accessories



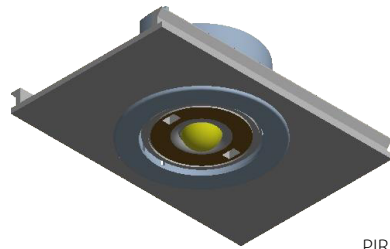
Corner connector



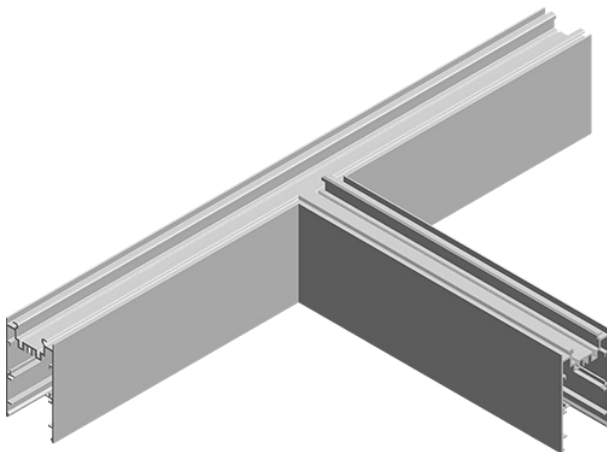
Connector plates and Suspension



X connector



PIR Plate



T connector

synergy.gb.net

01992 445828

sales@synergy.gb.net

Please note: Specification values may change due to rapid development of lighting technology. All performance data is taken at an ambient temperature of +25 °C. Data may be rounded up/down for illustrative purposes. Tolerance range of optical and electrical data is +/- 10%. Synergy reserve the right to amend or change details without prior notification.