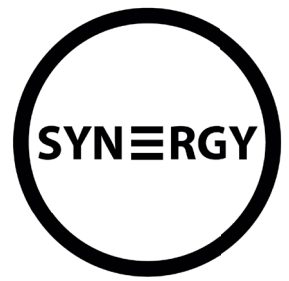


# POLARIS 3 LOW GLARE

## RECESSED LED LINEAR LUMINAIRE



| Code                      | Finish | Diffuser  | Size (mm) | Delivered Lumens (lm) | Total System Wattage (W) | Efficacy (lm/cw) | Colour Temp (°K) | CRI |
|---------------------------|--------|-----------|-----------|-----------------------|--------------------------|------------------|------------------|-----|
| <b>P3IB/HX/F/0885/4K8</b> | Black  | Low Glare | 885       | 1830                  | 17.6                     | 104.0            | 4000             | >80 |
| <b>P3IB/HX/F/1165/4K8</b> | Black  | Low Glare | 1165      | 2444                  | 23.2                     | 105.3            | 4000             | >80 |
| <b>P3IB/HX/F/1450/4K8</b> | Black  | Low Glare | 1450      | 3052                  | 28.9                     | 105.6            | 4000             | >80 |
| <b>P3IB/HX/F/1730/4K8</b> | Black  | Low Glare | 1730      | 3665                  | 34.9                     | 105.0            | 4000             | >80 |
| <b>P3IB/HX/F/2015/4K8</b> | Black  | Low Glare | 2015      | 4274                  | 40.7                     | 105.0            | 4000             | >80 |
| <b>P3IB/HX/F/2295/4K8</b> | Black  | Low Glare | 2295      | 4887                  | 46.6                     | 104.9            | 4000             | >80 |
| <b>P3IB/HX/F/2580/4K8</b> | Black  | Low Glare | 2580      | 5496                  | 52.4                     | 104.9            | 4000             | >80 |
| <b>P3IB/HX/F/2860/4K8</b> | Black  | Low Glare | 2860      | 6108                  | 58.2                     | 104.9            | 4000             | >80 |
| <b>P3IB/HX/F/3145/4K8</b> | Black  | Low Glare | 3145      | 6717                  | 64                       | 105.0            | 4000             | >80 |
| <b>P3IB/HX/F/3425/4K8</b> | Black  | Low Glare | 3425      | 7331                  | 70                       | 104.7            | 4000             | >80 |
| <b>P3IB/HX/F/3710/4K8</b> | Black  | Low Glare | 3710      | 7939                  | 75.8                     | 104.7            | 4000             | >80 |
| <b>P3IB/HX/F/3990/4K8</b> | Black  | Low Glare | 3990      | 8552                  | 81.3                     | 105.2            | 4000             | >80 |
| <b>P3IB/HX/F/4275/4K8</b> | Black  | Low Glare | 4275      | 9161                  | 87.2                     | 105.1            | 4000             | >80 |
| <b>P3IB/HX/F/4555/4K8</b> | Black  | Low Glare | 4555      | 9774                  | 93.1                     | 105.0            | 4000             | >80 |

Dimensions in the table above are for the back body only. For Individual luminaires, there is a 16mm recessing trim on both sides and 11mm on both ends. For Start of Run & End of Run luminaires, there is an 11mm recessing trim on one end, and 16mm on both sides. For Continuous luminaires, there is a 16mm recessing trim on both sides.

- Part numbers are for individual luminaires.
- 5 year warranty
- See website for LDT files
- For CAD/BIM contact us
- For bespoke lengths please contact us
- See website for Technical Data Sheet
- IP20

REVISED : 18November202011:33am



# POLARIS 3 LOW GLARE

## RECESSED LED LINEAR LUMINAIRE

### Construction

- Extruded aluminium profile
- Clip-in diffuser
- Tridonic LED boards
- Made in the UK

### Features

- High efficiency LED boards
- Range of length options
- Wide-beam light distribution

### Applications

- Commercial and Business Areas
- Public buildings
- Housing
- Offices
- Hotels and Restaurants
- Arts and Culture spaces

### Benefits

- Custom-fit options
- Contemporary style
- Energy efficient solution
- European control gear

### Optical Options

| Code | Description          |
|------|----------------------|
| /HXP | Low Glare (Standard) |
| /OS  | Opal (See P3 spec)   |

### CCT Options

| Code | Description      |
|------|------------------|
| 4K8  | 4000K (Standard) |
| 3K8  | 3000K            |

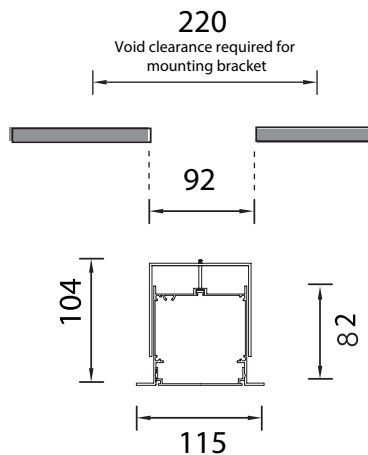
For 3000K version, replace '4K8' in part number with '3K8'

### Control Options

| Code | Description       |
|------|-------------------|
| D    | DALI              |
| S    | Switchdim control |

For DALI control, replace 'F' in part number with 'D' for SwitchDim replace 'F' with 'S'

### Dimensions



### Mounting Options

| Code         | Description                |
|--------------|----------------------------|
| P1/SUS/1.25M | Suspended 1.25M            |
| P1/SUS/3.0M  | Suspended 3M               |
| P1/SUS/5.0M  | Suspended 5M               |
| /NA          | Surface Mounted (Standard) |

For suspended specify the codes as required.

### Finish Options

| Code | Description   |
|------|---|
| B    | Black RAL 9005 (Standard)                                       |
| W    | White RAL 9016  |
| S    | Silver RAL 9006   |
| RAL  | Any RAL by request  |
| SFX  | Special effect finishes (SFX) by request. See Product Portfolio |

For White finish, replace 'B' in part number with 'W' for Silver replace 'B' with 'S'. Contact us for custom RAL and SFX finish prices

### Emergency Options

| Code | Description                         |
|------|-------------------------------------|
| /EM  | 3 hour maintained, manual test      |
| /ED  | 3 hour maintained, DALI / Self Test |

For emergency version, add onto end of part number as required

### Continuous Options

| Code | Description  |
|------|--------------|
| C    | Continuous   |
| S    | Start of run |
| E    | End of run   |

Part numbers are for individual luminaires. For continuous replace 'I' in part number with 'C', 'S' or 'E'. Please specify continuous separately. ie **P3CB/HX/F/3990/4K8**

synergy.gb.net

01992 445828

sales@synergy.gb.net

Please note: Specification values may change due to rapid development of lighting technology. All performance data is taken at an ambient temperature of +25 °C. Data may be rounded up/down for illustrative purposes. Tolerance range of optical and electrical data is +/- 10%. Synergy reserve the right to amend or change details without prior notification.

synergy.gb.net