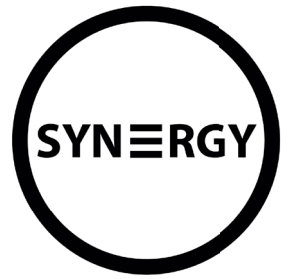


DOLIO MIDI 1

SURFACE LED DOWNLIGHT



Code	Finish	Beam Angle (°)	Size (mm)	Delivered Lumens (lm)	Total System Wattage (W)	Efficacy (lm/cw)	Colour Temp (°K)	CRI
DOLM1B/F/1000/4K8	Black	90	106 ø x 140	1070	12.2	87.7	4000K	>80

- 5 year warranty
- See website for LDT files
- For BIM models, please contact us
- See website for Technical Data Sheet

REVISED : 27 July 2020 2:18 pm



DOLIO MIDI 1

SURFACE LED DOWNLIGHT

Construction

- Extruded aluminium
- Clear safety glass diffuser
- Built in driver
- Multi-faceted 90° reflector

Features

- >30,000hrs L70/B50
- Ideal for ceilings without a void
- IP20

Applications

- Commercial and Business Areas
- Public buildings
- Co-work spaces
- Offices
- Hotels and Restaurants
- Arts and Culture spaces

Benefits

- Contemporary style
- Energy efficient solution
- Tridonic control gear

Optical Options

Code	Description
N/A	Multi-faceted 90° reflector

CCT Options

Code	Description
4K8	4000K (Standard)
3K8	3000K

For 3000K version, replace '4K8' in part number with '3K8'

Control Options

Code	Description
N/A	DALI
N/A	Switchdim control

For DALI or Switchdim control, please contact sales team. Remote driver only

Mounting Options

Code	Description
N/A	Surface Mounted (Standard)
/SUS	Suspended

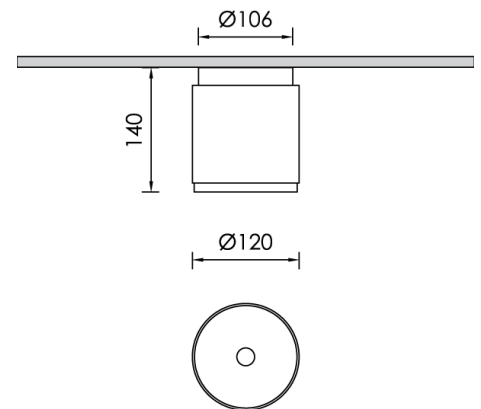
For suspended version please add '/SUS' on the end of the part number.

Finish Options

Code	Description
B	Black (Standard)
W	White
G	Grey

For White finish, replace 'B' in part number with 'W' for Grey replace 'B' with 'G'

Dimensions



synergy.gb.net

01992 445828

sales@synergy.gb.net

Please note: Specification values may change due to rapid development of lighting technology. All performance data is taken at an ambient temperature of +25 °C. Data may be rounded up/down for illustrative purposes. Tolerance range of optical and electrical data is +/- 10%. Synergy reserve the right to amend or change details without prior notification.

synergy.gb.net