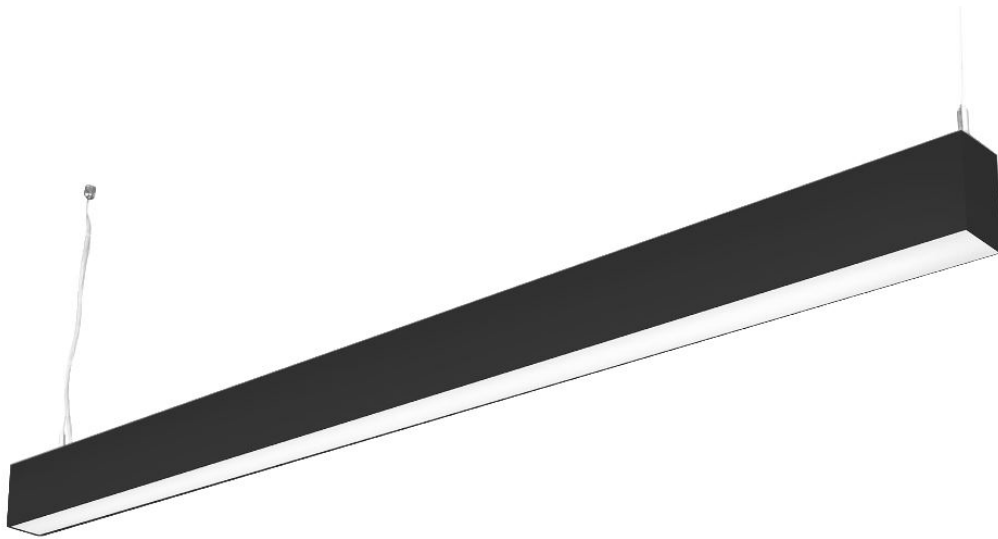


POLARIS 50 LOW GLARE

DIRECT/INDIRECT LOW GLARE LED LINEAR



Code	Finish	Distribution	Diffuser	Size (mm)	Delivered Lumens (lm)	Total System Wattage (W)	Efficacy (lm/cw)	Colour Temp (°K)	CRI
P50IB/2/HX/F/0568/4K8	Black	Direct & Indirect	Low Glare	568	2038	18.2	112.0	4000	>80
P50IB/2/HX/F/0848/4K8	Black	Direct & Indirect	Low Glare	848	3400	30.5	111.5	4000	>80
P50IB/2/HX/F/1128/4K8	Black	Direct & Indirect	Low Glare	1128	4762	42.5	112.0	4000	>80
P50IB/2/HX/F/1408/4K8	Black	Direct & Indirect	Low Glare	1408	6124	54.5	112.4	4000	>80
P50IB/2/HX/F/1688/4K8	Black	Direct & Indirect	Low Glare	1688	7486	66.5	112.6	4000	>80
P50IB/2/HX/F/1968/4K8	Black	Direct & Indirect	Low Glare	1968	8848	79	112.0	4000	>80
P50IB/2/HX/F/2248/4K8	Black	Direct & Indirect	Low Glare	2248	10209	91	112.2	4000	>80
P50IB/2/HX/F/2528/4K8	Black	Direct & Indirect	Low Glare	2528	11571	103	112.3	4000	>80
P50IB/2/HX/F/2808/4K8	Black	Direct & Indirect	Low Glare	2808	12933	115	112.5	4000	>80
P50IB/2/HX/F/3088/4K8	Black	Direct & Indirect	Low Glare	3088	14295	127	112.6	4000	>80
P50IB/2/HX/F/3368/4K8	Black	Direct & Indirect	Low Glare	3368	15657	139	112.6	4000	>80
P50IB/2/HX/F/3648/4K8	Black	Direct & Indirect	Low Glare	3648	17019	151.5	112.3	4000	>80
P50IB/2/HX/F/3928/4K8	Black	Direct & Indirect	Low Glare	3928	18381	164	112.1	4000	>80

- Part numbers are for individual luminaires.
- 5 year warranty
- See website for LDT files
- For CAD/BIM contact us
- For bespoke lengths please contact us
- See website for Technical Data Sheet
- IP20

REVISED : 20 May 2021 11:07 am



POLARIS 50 LOW GLARE

DIRECT/INDIRECT LOW GLARE LED LINEAR

Construction

- Extruded aluminium profile
- Clip-in diffuser
- European LED boards

Features

- High efficiency LED boards
- Range of length options
- Wide-beam light distribution

Applications

- Commercial and Business Areas
- Public buildings
- Housing
- Offices
- Hotels and Restaurants
- Arts and Culture spaces

Benefits

- Custom-fit options
- Contemporary style
- Energy efficient solution
- European control gear

Optical Options

Code	Description
/HXP	Low Glare (Standard)
/OS	Opal (See P50 opal spec)

CCT Options

Code	Description
4K8	4000K (Standard)
3K8	3000K

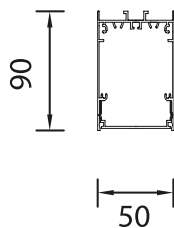
For 3000K version, replace '4K8' in part number with '3K8'

Control Options

Code	Description
D	DALI
S	Switchdim control

For DALI control, replace 'F' in part number with 'D' for SwitchDim replace 'F' with 'S'

Dimensions



Mounting Options

Code	Description
P50/SUS/1.25M	Suspended 1.25M
P50/SUS/3.0M	Suspended 3M
P50/SUS/5.0M	Suspended 5M
N/A	Surface Mounted (Standard)

For suspended specify the codes as required.

Finish Options

Code	Description
B	Black RAL 9005 (Standard)
W	White RAL 9016
S	Silver RAL 9006
RAL	Any RAL by request
SFX	Special effect finishes (SFX) by request. See Product Portfolio

For White finish, replace 'B' in part number with 'W' for Silver replace 'B' with 'S'. Contact us for custom RAL and SFX finish prices

Emergency Options

Code	Description
/EM	3 hour maintained, manual test
/ED	3 hour maintained, DALI / Self Test

For emergency version, add onto end of part number as required

Continuous Options

Code	Description
C	Continuous
S	Start of run
E	End of run

Part numbers are for individual luminaires. For continuous replace 'I' in part number with 'C', 'S' or 'E'. Please specify continuous separately. ie **P50CB/HX/F/0568/4K8**

synergy.gb.net

01992 445828

sales@synergy.gb.net

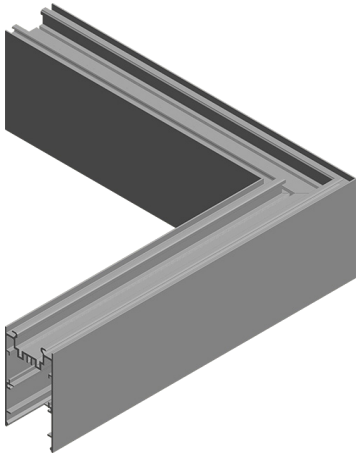
Please note: Specification values may change due to rapid development of lighting technology. All performance data is taken at an ambient temperature of +25 °C. Data may be rounded up/down for illustrative purposes. Tolerance range of optical and electrical data is +/- 10%. Synergy reserve the right to amend or change details without prior notification.

synergy.gb.net

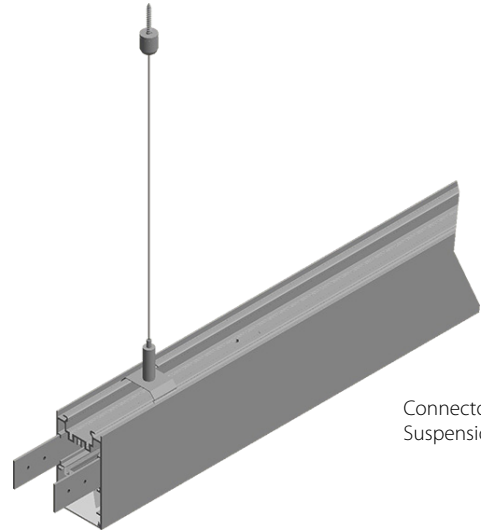
POLARIS 50 LOW GLARE

DIRECT/INDIRECT LOW GLARE LED LINEAR

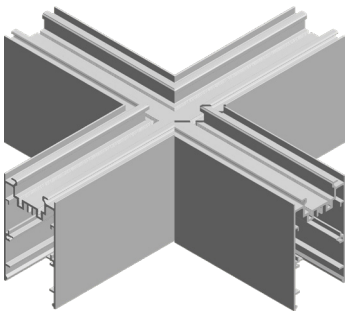
Accessories



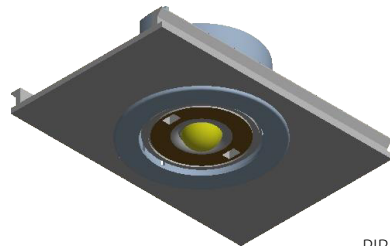
Corner connector



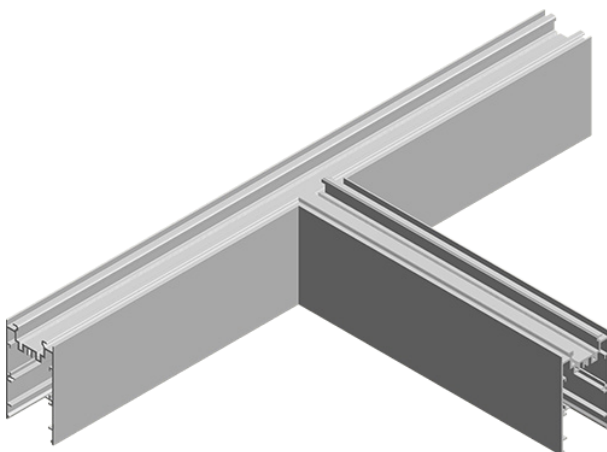
Connector plates and Suspension



X connector



PIR Plate



T connector

synergy.gb.net

01992 445828

sales@synergy.gb.net

Please note: Specification values may change due to rapid development of lighting technology. All performance data is taken at an ambient temperature of +25 °C. Data may be rounded up/down for illustrative purposes. Tolerance range of optical and electrical data is +/- 10%. Synergy reserve the right to amend or change details without prior notification.